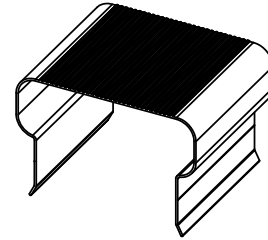
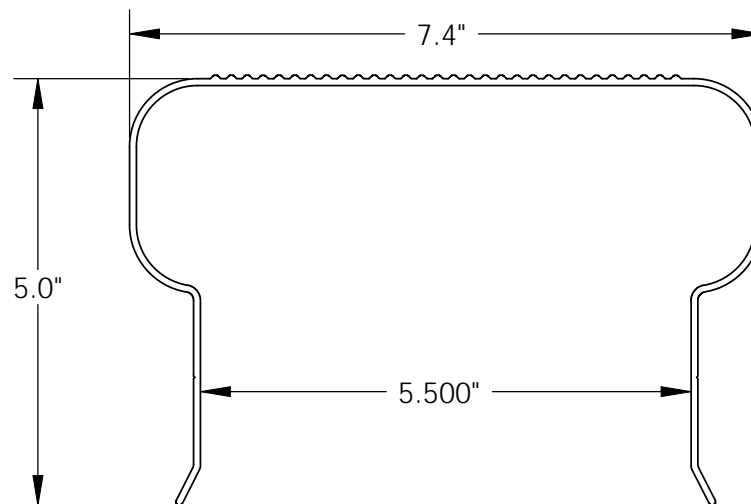


# AW-575 Cap



<b>Section Modulus (Z)</b>	3.0 in <sup>3</sup>	49 cm <sup>3</sup>
<b>Moment of Inertia (I)</b>	11 in <sup>4</sup>	458 cm <sup>4</sup>
<b>Outside Width</b>	7.4 in	188 mm
<b>Inside Width</b>	5.5 in	140 mm
<b>Material</b>	6063-T6 Marine Grade Aluminum	
<b>Sheet Piling Compatibility</b>	SG-225, CL-4500, GG-20	
<b>Tie Rod Compatibility</b>	AW 1.5" x 0.75" Rod Kit	
<b>Recommended Accessories</b>	Beveled PVC Washer, 45° and 90° AW-575 Corner Inserts	
<b>Standard Colors/Surface Treatment</b>	Mill Finish, Grey, Clay, Anodized Marine Bronze	
<b>Standard Packaging</b>	20ft Cap, SS and PVC Fasteners, Splice Insert	



Physical properties are defined by ASTM testing standards, The Aluminum Association Design Manual, The Naval Facilities Design Manual DM 7.2, The US Army Corps of Engineers General Design Guide: PVC Sheet Pile and/or standard engineering practice. The values shown are nominal and may vary. The information found in this document is believed to be true and accurate. No warranties of any kind are made as to the suitability of any CMI product for particular applications or the results obtained there from. Crane Materials International is a Crane Building Products® company. ShoreGuard®, The ShoreGuard Seawall System™, C-Loc®, TimberGuard®, GeoGuard®, Dura Dock®, Shore-All®, GatorGates®, GatorDock Elite™, ArmorWare™, ArmorRod™, Box Profile™, UltraComposite™, Elite Wall™, Elite Panel™, Elite Fascia Panel™, Flat Panel™, XCR™, XCR Technology™, XCR Vinyl™, GatorBridge™, Gator Aluminum™, Gator Sheet Piling™, GatorDock™, I-Beam Lock™, Textured Slate™, Crane Materials International™ logo, CMI Sheet Piling Solutions™, Aqua Terra System™, Endurance™, Endurance CSPTM, Polaris™, Eclipse™, GridSpine™, 21 Poly™, PileClaw™, SheerScape™, SheerScape Retaining Wall Systems™, Sheer Panel™ and CMI Waterfront Solutions™ are trademarks, service marks or trade names of Crane Materials International. United States and International Patent numbers 4,674,921; 4,690,588; 5,292,208; 5,145,287; 6,000,883; 6,033,155; 6,053,666; D420,154; 6,575,667; 7,059,807; 7,056,066; 7,025,539; 7,393,482; 5,503,503; 5,803,672; 6,231,271; 1,245,061CA and other patents pending. © 2011 Crane Materials International. All Rights Reserved.