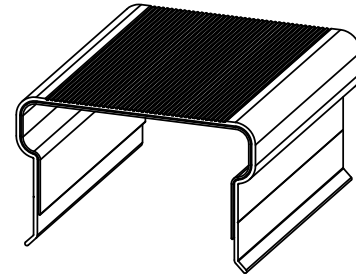
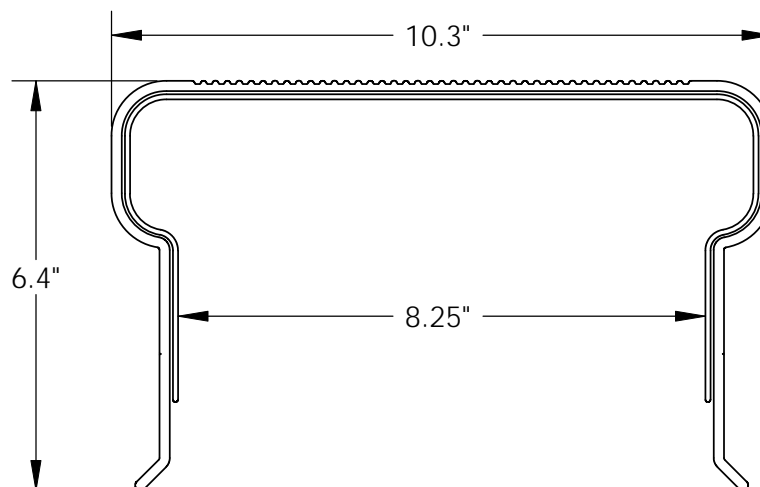


AW-855 STR Cap



Section Modulus (Z)	15.3 in ³	251 cm ³
Moment of Inertia (I)	79 in ⁴	3,288 cm ⁴
Outside Width	10.3 in	262 mm
Inside Width	8.25 in	210 mm
Material	6063-T6 Marine Grade Aluminum	
Sheet Piling Compatibility	SG-300, SG325, SG-425, SG-550, GG-30	
Tie Rod Compatibility	AW 2.5" x 0.75" Rod Kit	
Recommended Accessories	Beveled PVC Washer, 45° and 90° AW-850/855 Corner Insert	
Standard Colors/Surface Treatment	Mill Finish, Grey, Clay, Anodized Marine Bronze	
Standard Packaging	20ft AW-855 Cap, SS and PVC Fasteners, 20ft Structural Insert	



Physical properties are defined by ASTM testing standards, The Aluminum Association Design Manual, The Naval Facilities Design Manual DM 7.2, The US Army Corps of Engineers General Design Guide: PVC Sheet Pile and/or standard engineering practice. The values shown are nominal and may vary. The information found in this document is believed to be true and accurate. No warranties of any kind are made as to the suitability of any CMI product for particular applications or the results obtained there from. Crane Materials International is a Crane Building Products® company. ShoreGuard®, The ShoreGuard Seawall System™, C-Loc®, TimberGuard®, GeoGuard®, Dura Dock®, Shore-All®, GatorGates®, GatorDock Elite™, ArmorWare™, ArmorRod™, Box Profile™, UltraComposite™, Elite Wall™, Elite Fascia Panel™, Flat Panel™, XCR™, XCR Technology™, XCR Vinyl™, GatorBridge™, Gator Aluminum™, Gator Sheet Piling™, GatorDock™, I-Beam Lock™, Textured Slate™, Crane Materials International™ logo, CMI Sheet Piling Solutions™, Aqua Terra System™, Endurance™, Endurance CSPTM, Polaris™, Eclipse™, GridSpine™, 21 Poly™, PileClaw™, SheerScape™, SheerScape Retaining Wall Systems™, Sheer Panel™ and CMI Waterfront Solutions™ are trademarks, service marks or trade names of Crane Materials International. United States and International Patent numbers 4,674,921; 4,690,588; 5,292,208; 5,145,287; 6,000,883; 6,033,155; 6,053,666; D420,154; 6,575,667; 7,059,807; 7,056,066; 7,025,539; 7,393,482; 5,503,503; 5,803,672; 6,231,271; 1,245,061CA and other patents pending. © 2011 Crane Materials International. All Rights Reserved.