

THE INFORMATION CONTAINED IN THIS DRAWING IS THE SOLE PROPERTY OF GATOR DOCK & MARINE, LLC. ANY REPRODUCTION IN PART OR AS A WHOLE WITHOUT THE WRITTEN PERMISSION OF GATOR DOCK & MARINE, LLC IS PROHIBITED.

RECORD OF REVISIONS

No.	DATE	DESCRIPTION:
0	--/--/--	--
1	--/--/--	--
2	--/--/--	--

PROJECT NAME: ---

CUSTOMER NAME: ---

CUSTOMER ADDRESS: ---

PROJECT LOCATION: ---

CMI ORDER NO.: ---

CUSTOMER PO NO.: ---

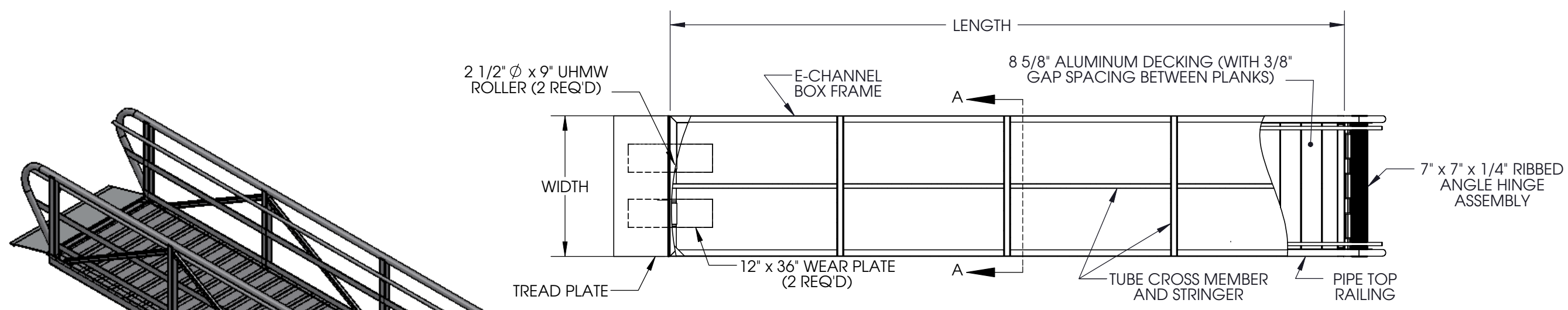
	NAME	DATE
DRAWN BY:	ERJ	--/--/--
CHECKED BY:	JCP	--/--/--

DRAWING NO.:

DR1 ALUMINUM GANGWAY

Physical properties are defined by ASTM testing standards. The Aluminum Association Design Manual, and/or standard engineering practice. The values shown are nominal and may vary. The information found in this document is believed to be true and accurate. No warranties of any kind are made as to the suitability of any CMI product for particular applications or the results obtained there from. ShoreGuard, C-Loc, TimberGuard, GeoGuard, Dura Dock, Shore-All, and Gator Gates are registered trademarks of Crane Materials International. ArmorWare, Ultra Composite, GatorDocks, and CMI Waterfront Solutions are trademarks of Crane Materials International. United States and International Patent numbers 5,145,287; 5,881,508; 6,000,883; 6,033,155; 6,053,666; D420,154; 4,674,921; 4,690,588; 5,292,208; 6,575,667; 7,059,807; 7,056,066; 7,026,539; 1,245,061; Other patents pending. © 2008 Crane Materials International. All Rights Reserved.

Authorized By:

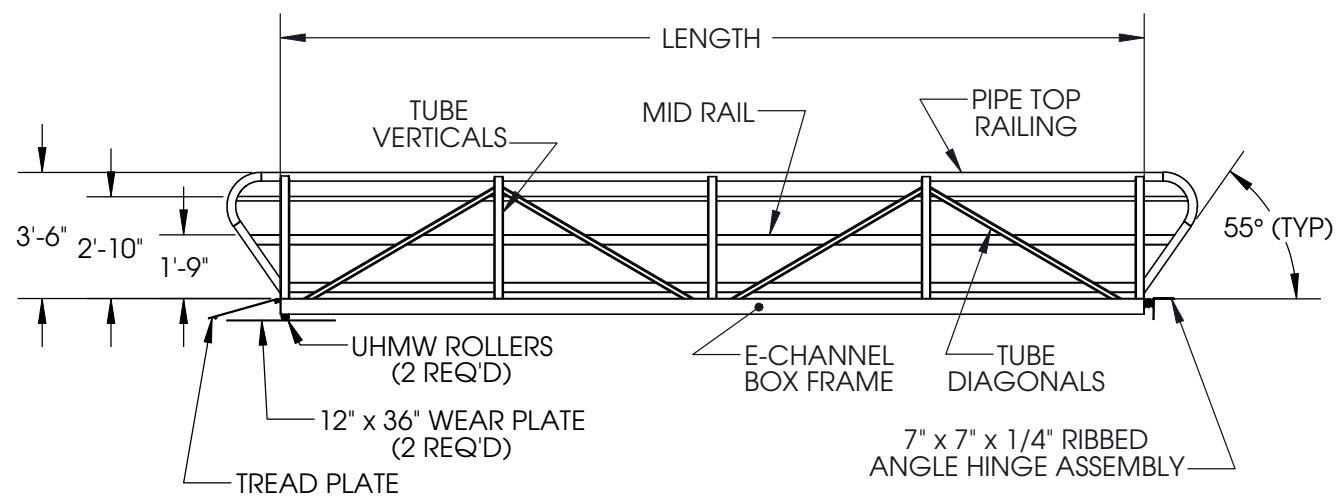


PLAN VIEW OF DR1 ALUMINUM GANGWAY

SCALE: NTS

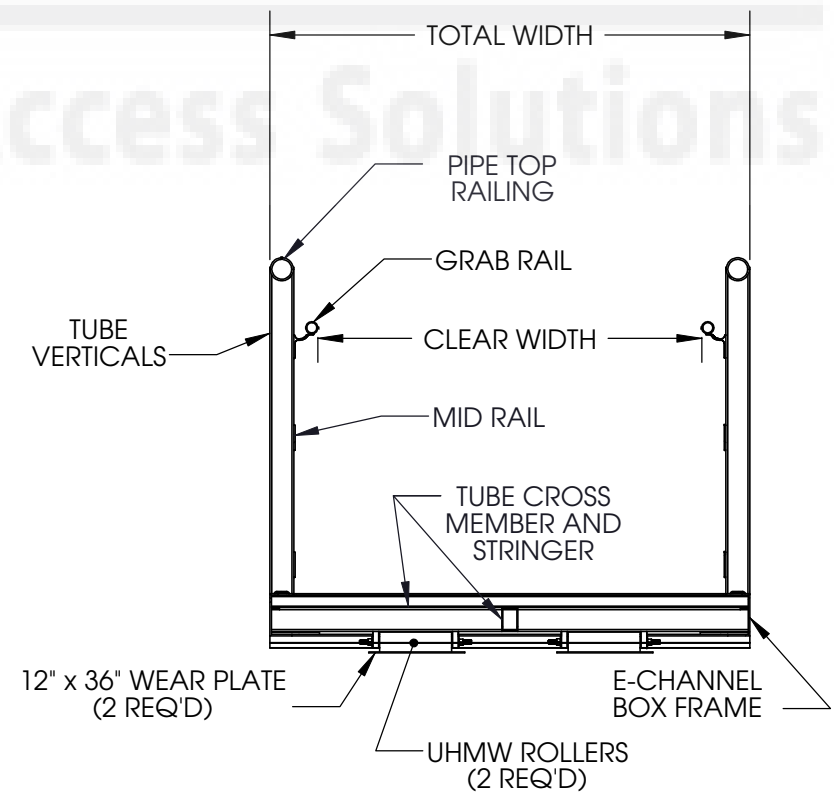
ISOMETRIC VIEW OF DR1 ALUMINUM GANGWAY

SCALE: NTS



ELEVATION VIEW OF DR1 ALUMINUM GANGWAY

SCALE: NTS



SECTION A-A

SCALE: NTS

THE INFORMATION CONTAINED IN THIS DRAWING IS THE SOLE PROPERTY OF GATOR DOCK & MARINE, LLC. ANY REPRODUCTION IN PART OR AS A WHOLE WITHOUT THE WRITTEN PERMISSION OF GATOR DOCK & MARINE, LLC IS PROHIBITED.

RECORD OF REVISIONS

No.	DATE	DESCRIPTION:
0	--/--/--	--
1	--/--/--	--
2	--/--/--	--

PROJECT NAME:

CUSTOMER NAME:

CUSTOMER ADDRESS:

PROJECT LOCATION:

CMI ORDER NO.:

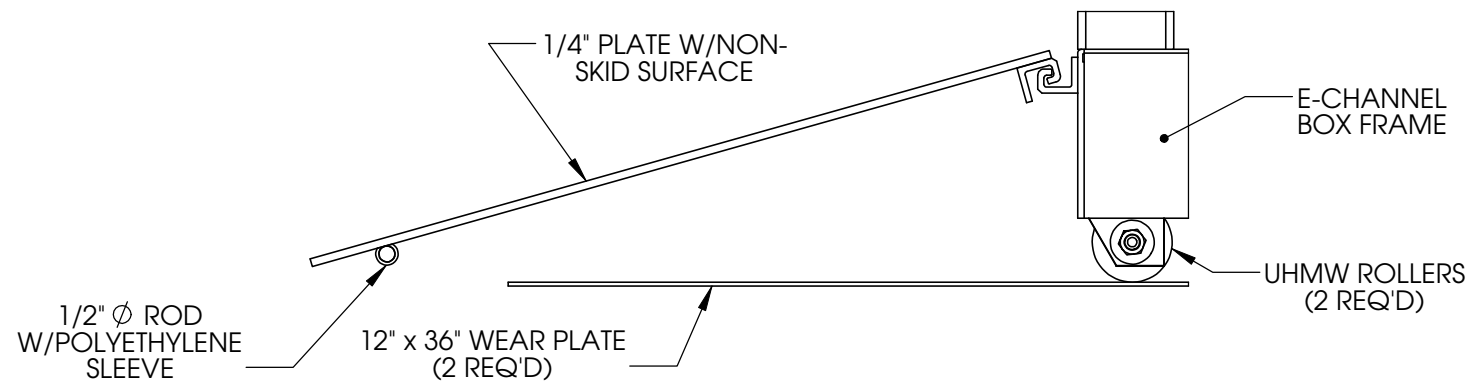
CUSTOMER PO NO.:

	NAME	DATE
DRAWN BY:	ERJ	--/--/--
CHECKED BY:	JCP	--/--/--

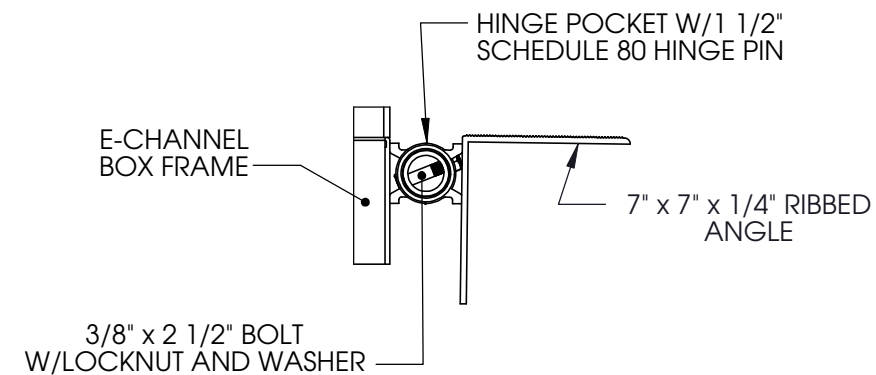
DRAWING NO.:

DR1 ALUMINUM GANGWAY COMPONENTS

Physical properties are defined by ASTM testing standards. The Aluminum Association Design Manual, and/or standard engineering practice. The values shown are nominal and may vary. The information found in this document is believed to be true and accurate. No warranties of any kind are made as to the suitability of any CMI product for particular applications or the results obtained there from. ShoreGuard, C-Loc, TimberGuard, GeoGuard, Dura Dock, Shore-All, and Gator Gates are registered trademarks of Crane Materials International. ArmorWare, Ultra Composite, GatorDocks, and CMI Waterfront Solutions are trademarks of Crane Materials International. United States and International Patent numbers 5,145,287; 5,881,508; 6,000,883; 6,033,155; 6,053,666; D420,154; 4,674,921; 4,690,888; 5,292,208; 6,575,667; 7,059,807; 7,056,066; 7,026,539; 1,245,061; Other patents pending. © 2008 Crane Materials International. All Rights Reserved.



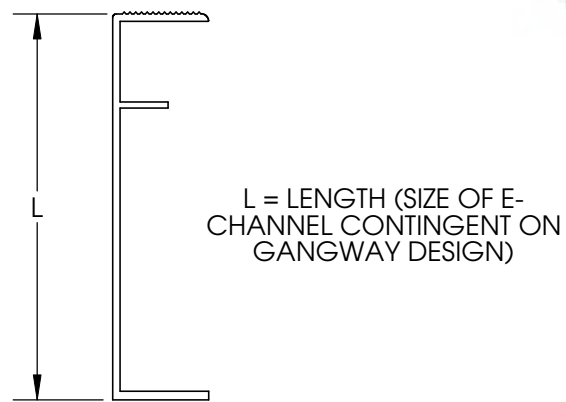
TREAD PLATE DETAIL
SCALE: NTS



HINGE DETAIL
SCALE: NTS

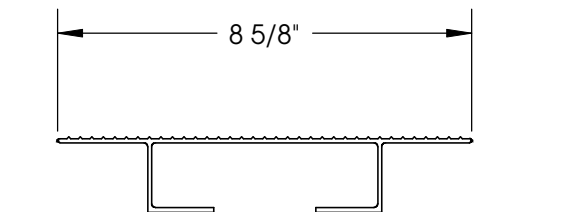


GATORDOCK™
Marine Access Solutions

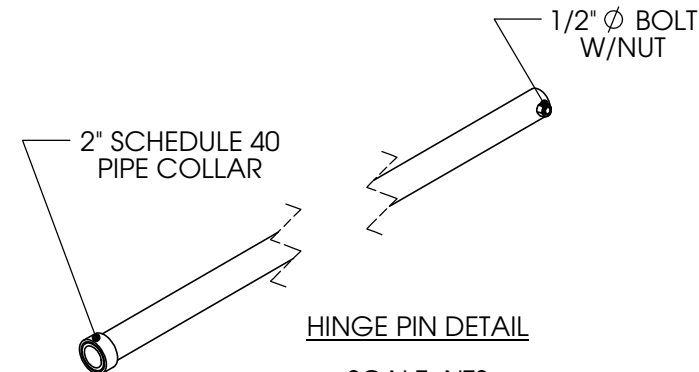


E-CHANNEL DETAIL
SCALE: NTS

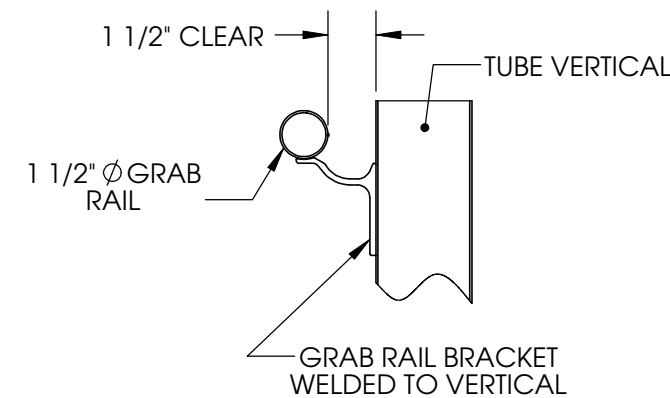
L = LENGTH (SIZE OF E-CHANNEL CONTINGENT ON GANGWAY DESIGN)



8 5/8" ALUMINUM DECKING DETAIL
(12" ALUMINUM DECKING ALSO AVAILABLE)
SCALE: NTS



HINGE PIN DETAIL
SCALE: NTS



GRAB RAIL DETAIL
SCALE: NTS