

THE INFORMATION CONTAINED IN THIS DRAWING IS THE SOLE PROPERTY OF GATOR DOCK & MARINE, LLC. ANY REPRODUCTION IN PART OR AS A WHOLE WITHOUT THE WRITTEN PERMISSION OF GATOR DOCK & MARINE, LLC IS PROHIBITED.

RECORD OF REVISIONS

No.	DATE	DESCRIPTION:
0	--/--/--	--
1	--/--/--	--
2	--/--/--	--

PROJECT NAME:

CUSTOMER NAME:

CUSTOMER ADDRESS:

PROJECT LOCATION:

CMI ORDER NO.:

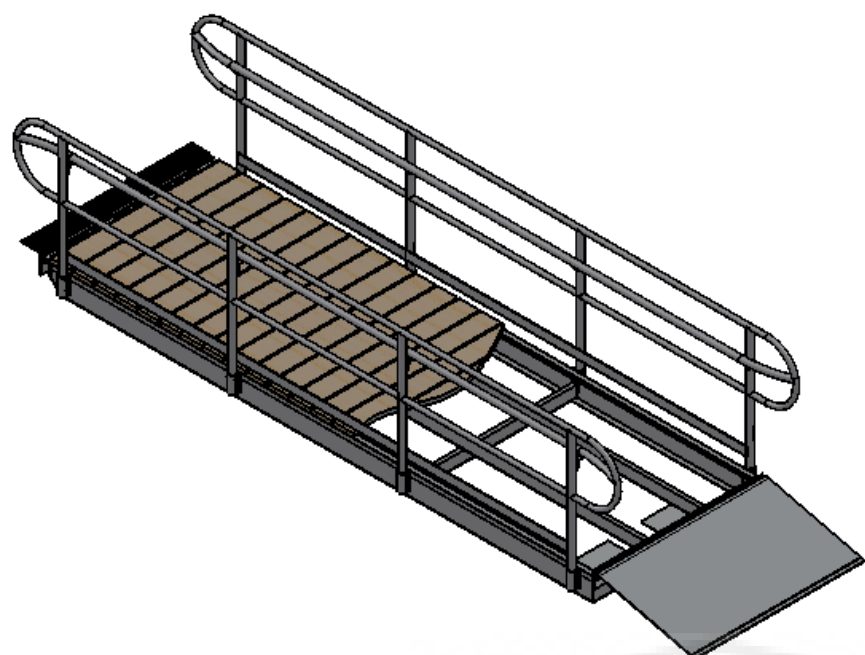
CUSTOMER PO NO.:

	NAME	DATE
DRAWN BY:	ERJ	--/--/--
CHECKED BY:	JCP	--/--/--

DRAWING NO.:

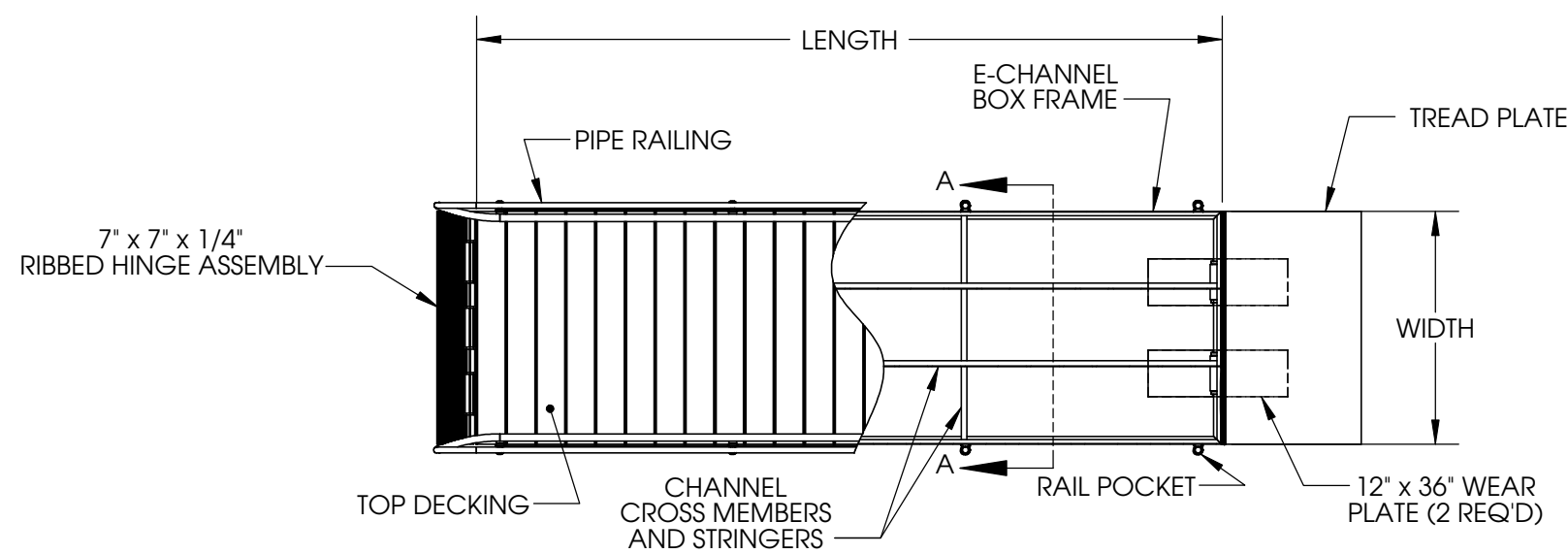
DR2 TOP DECKED ALUMINUM GANGWAY

Physical properties are defined by ASTM testing standards. The Aluminum Association Design Manual, and/or standard engineering practice. The values shown are nominal and may vary. The information found in this document is believed to be true and accurate. No warranties of any kind are made as to the suitability of any CMI product for particular applications or the results obtained therefrom. ShoreGuard, C-Loc, TimberGuard, GeoGuard, Dura Dock, Shore-All, and Gator Gates are registered trademarks of Crane Materials International. ArmorWare, Ultra Composite, GatorDocks, and CMI Waterfront Solutions are trademarks of Crane Materials International. United States and International Patent numbers 5,145,287; 5,881,508; 6,000,883; 6,033,155; 6,053,666; D420,154; 4,674,921; 4,690,888; 5,292,208; 6,575,667; 7,059,807; 7,056,066; 7,026,539; 1,245,061; Other patents pending. © 2008 Crane Materials International. All Rights Reserved.



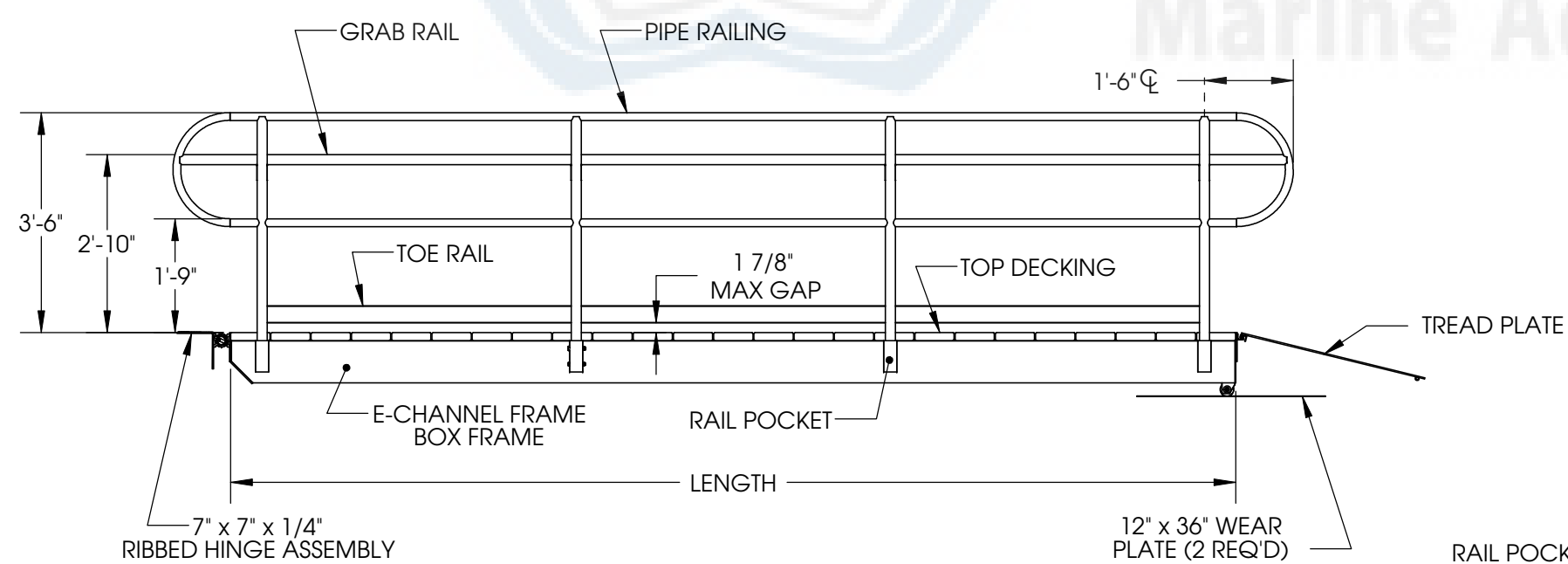
ISOMETRIC VIEW OF DR2 TOP DECKED ALUMINUM GANGWAY

SCALE: NTS



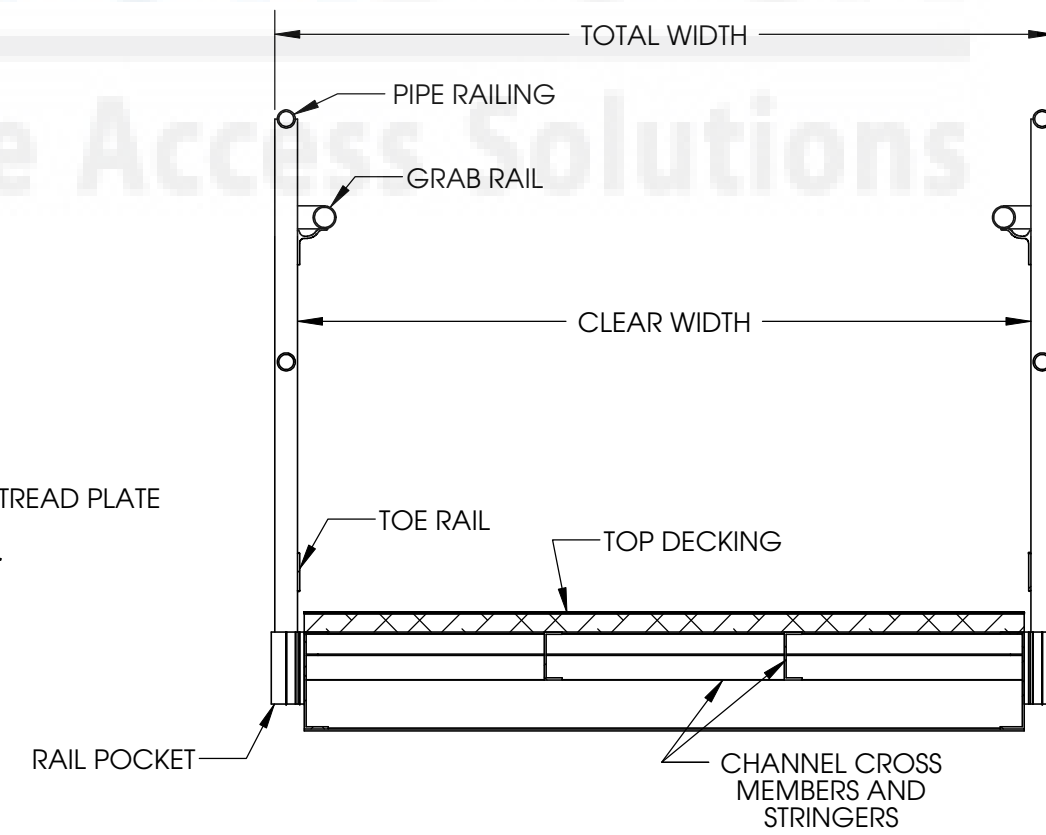
PLAN VIEW OF DR2 TOP DECKED ALUMINUM GANGWAY

SCALE: NTS



PLAN VIEW OF DR2 TOP DECKED ALUMINUM GANGWAY

SCALE: NTS



SECTION A-A

SCALE: NTS

THE INFORMATION CONTAINED IN THIS DRAWING IS THE SOLE PROPERTY OF GATOR DOCK & MARINE, LLC. ANY REPRODUCTION IN PART OR AS A WHOLE WITHOUT THE WRITTEN PERMISSION OF GATOR DOCK & MARINE, LLC IS PROHIBITED.

RECORD OF REVISIONS

No.	DATE	DESCRIPTION:
0	--/--/--	--
1	--/--/--	--
2	--/--/--	--

PROJECT NAME:

CUSTOMER NAME:

CUSTOMER ADDRESS:

PROJECT LOCATION:

CMI ORDER NO.:

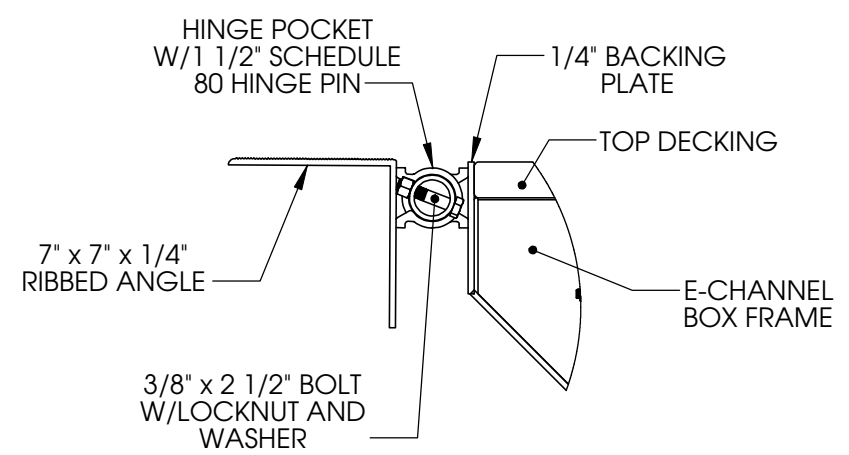
CUSTOMER PO NO.:

	NAME	DATE
DRAWN BY:	ERJ	--
CHECKED BY:	JCP	--

DRAWING NO.:

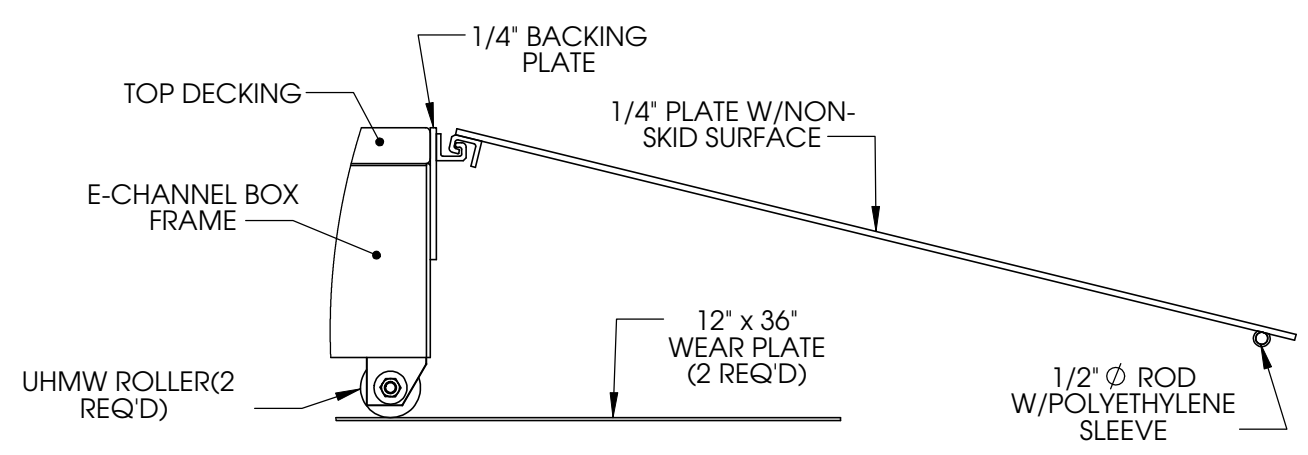
DR2 TOP DECKED ALUMINUM GANGWAY COMPONENTS

Physical properties are defined by ASTM testing standards. The Aluminum Association Design Manual, and/or standard engineering practice. The values shown are nominal and may vary. The information found in this document is believed to be true and accurate. No warranties of any kind are made as to the suitability of any CMI product for particular applications or the results obtained there from. ShoreGuard, C-Loc, TimberGuard, GeoGuard, Dura Dock, Shore-All, and Gator Gates are registered trademarks of Crane Materials International. ArmorWare, Ultra Composite, GatorDocks, and CMI Waterfront Solutions are trademarks of Crane Materials International. United States and International Patent numbers 5,145,287; 5,881,508; 6,000,883; 6,033,155; 6,053,666; D420,154; 4,674,921; 4,690,588; 5,292,208; 6,575,667; 7,059,807; 7,056,066; 7,026,539; 1,245,061; Other patents pending. © 2008 Crane Materials International. All Rights Reserved.



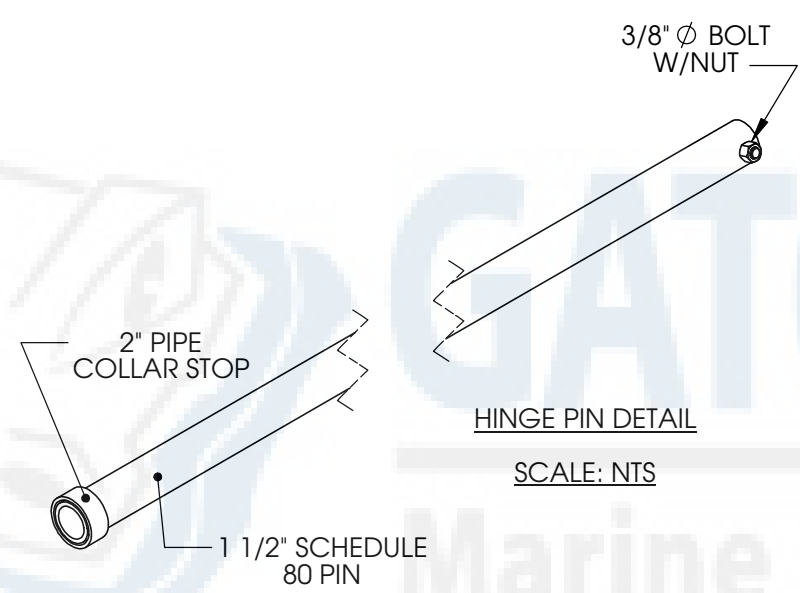
HINGE ASSEMBLY DETAIL

SCALE: NTS



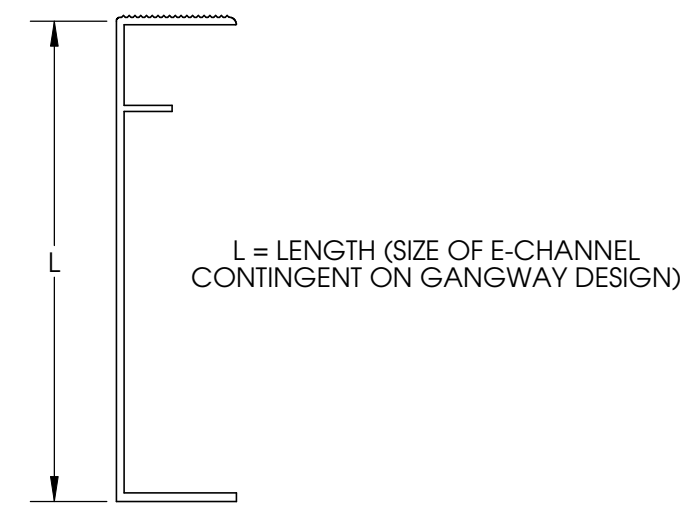
TREAD PLATE & ROLLER DETAIL

SCALE: NTS



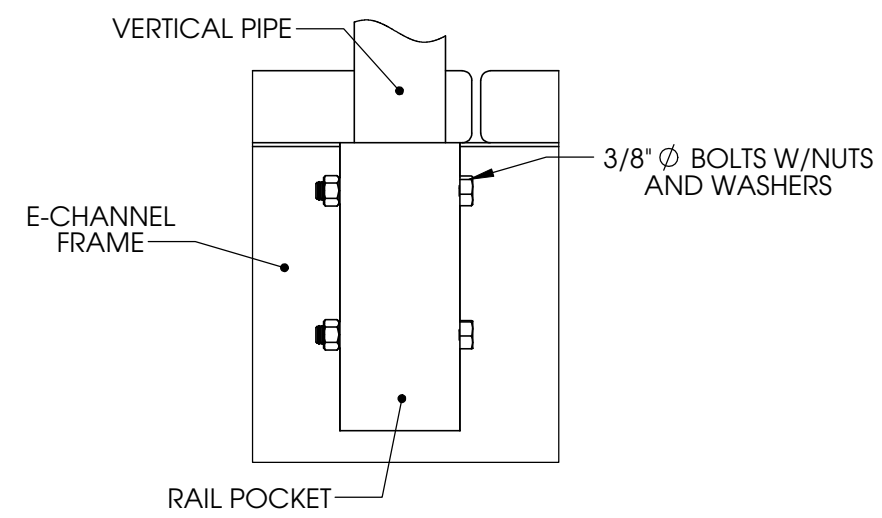
HINGE PIN DETAIL

SCALE: NTS



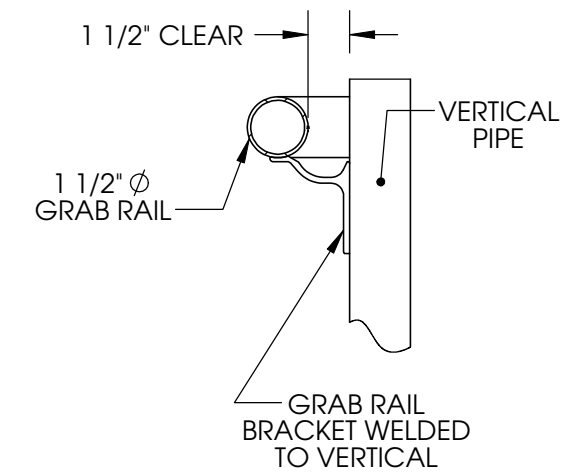
10" E-CHANNEL

SCALE: NTS



RAIL POCKET DETAIL

SCALE: NTS



GRAB RAIL DETAIL

SCALE: NTS