

THE INFORMATION CONTAINED IN THIS DRAWING IS THE SOLE PROPERTY OF GATOR DOCK & MARINE, LLC. ANY REPRODUCTION IN PART OR AS A WHOLE WITHOUT THE WRITTEN PERMISSION OF GATOR DOCK & MARINE, LLC IS PROHIBITED.

**RECORD OF REVISIONS**

| No. | DATE     | DESCRIPTION: |
|-----|----------|--------------|
| 0   | --/--/-- | ---          |
| 1   | --/--/-- | ---          |
| 2   | --/--/-- | ---          |

PROJECT NAME: ---

CUSTOMER NAME: ---

CUSTOMER ADDRESS: ---

PROJECT LOCATION: ---

CMI ORDER NO.: ---

CUSTOMER PO NO.: ---

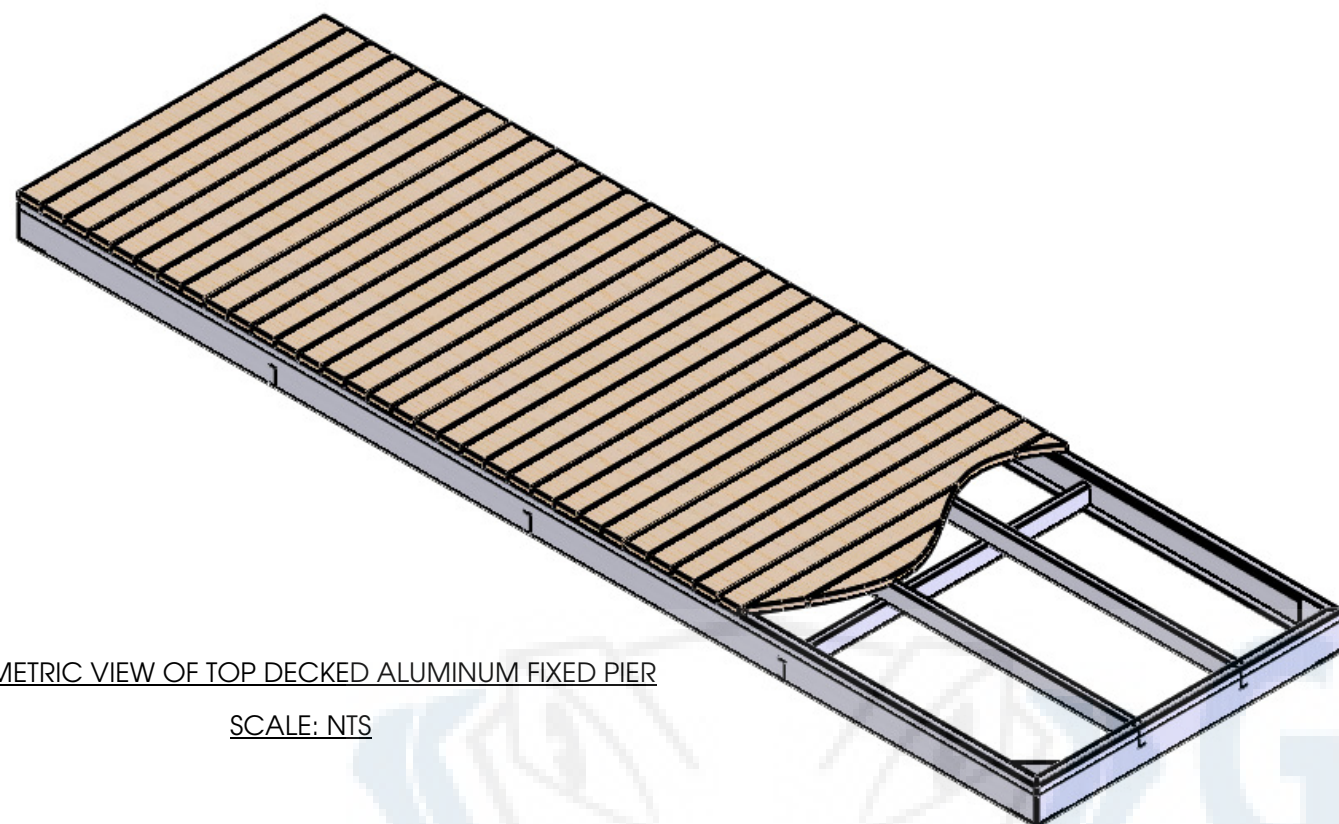
|             | NAME | DATE     |
|-------------|------|----------|
| DRAWN BY:   | ERJ  | --/--/-- |
| CHECKED BY: | JCP  | --/--/-- |

DRAWING NO.:

**TOP DECKED ALUMINUM FIXED PIER DETAILS**

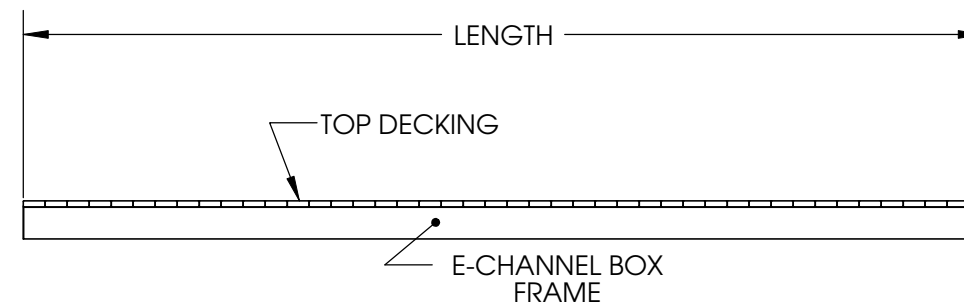
Physical properties are defined by ASTM testing standards. The Aluminum Association Design Manual, and/or standard engineering practice. The values shown are nominal and may vary. The information found in this document is believed to be true and accurate. No warranties of any kind are made as to the suitability of any CMI product for particular applications or the results obtained there from. ShoreGuard, C-Loc, TimberGuard, GeoGuard, Dura Dock, Shore-All, and Gator Gates are registered trademarks of Crane Materials International. ArmorWare, Ultra Composite, GatorDocks, and CMI Waterfront Solutions are trademarks of Crane Materials International. United States and International Patent numbers 5,145,287; 5,881,508; 6,000,883; 6,033,155; 6,053,666; D420,154; 4,674,921; 4,690,588; 5,292,208; 6,575,667; 7,059,807; 7,056,066; 7,026,539; 1,245,061; Other patents pending. © 2008 Crane Materials International. All Rights Reserved.

Authorized By:



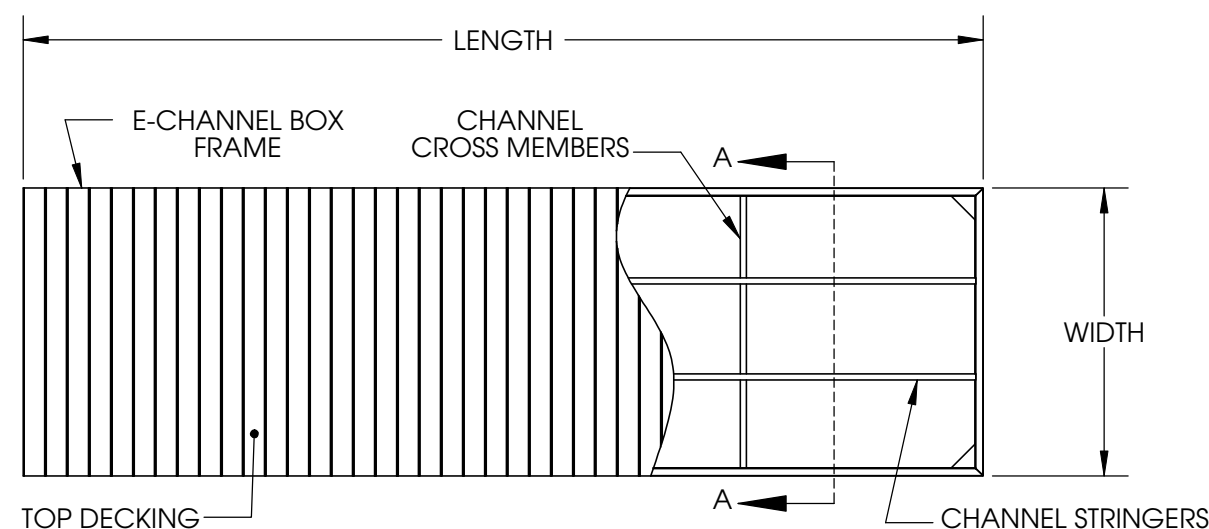
ISOMETRIC VIEW OF TOP DECKED ALUMINUM FIXED PIER

SCALE: NTS



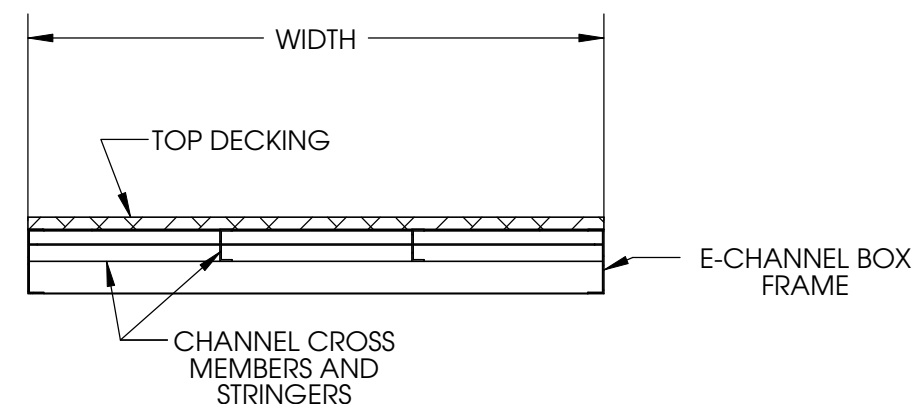
ELEVATION VIEW OF TOP DECKED ALUMINUM FIXED PIER

SCALE: NTS



PLAN VIEW OF TOP DECKED ALUMINUM FIXED PIER

SCALE: NTS



SECTION A-A

SCALE: NTS

THE INFORMATION CONTAINED IN THIS DRAWING IS THE SOLE PROPERTY OF GATOR DOCK & MARINE, LLC. ANY REPRODUCTION IN PART OR AS A WHOLE WITHOUT THE WRITTEN PERMISSION OF GATOR DOCK & MARINE, LLC IS PROHIBITED.

**RECORD OF REVISIONS**

| No. | DATE     | DESCRIPTION: |
|-----|----------|--------------|
| 0   | --/--/-- | --           |
| 1   | --/--/-- | --           |
| 2   | --/--/-- | --           |

PROJECT NAME:  
---

CUSTOMER NAME:  
---

CUSTOMER ADDRESS:  
---

PROJECT LOCATION:  
---

CMI ORDER NO.:  
---

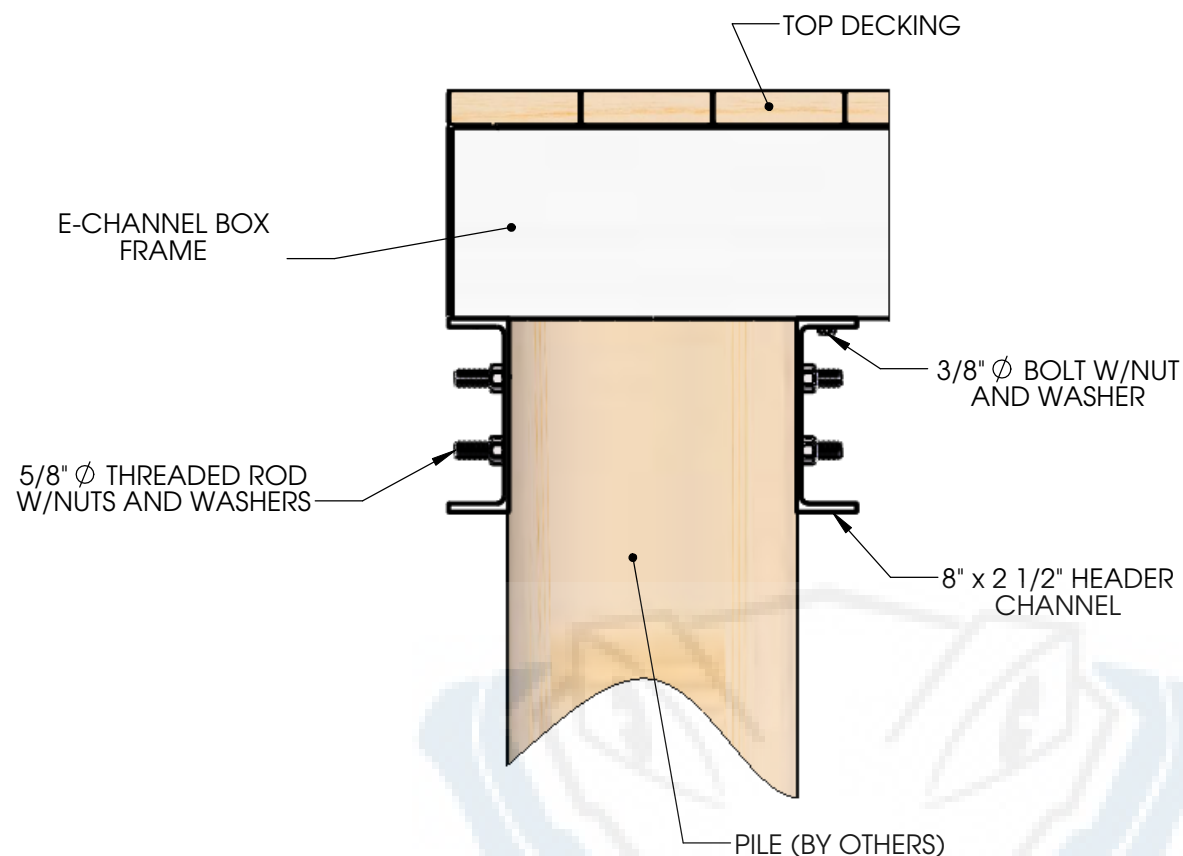
CUSTOMER PO NO.:  
---

|             | NAME | DATE     |
|-------------|------|----------|
| DRAWN BY:   | ERJ  | --/--/-- |
| CHECKED BY: | JCP  | --/--/-- |

DRAWING NO.:

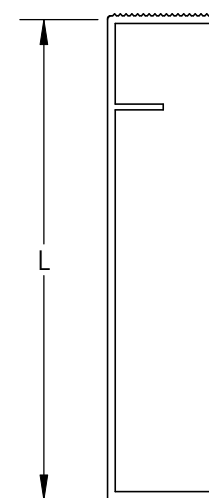
**FIXED PIER ACCESSORIES**

Physical properties are defined by ASTM testing standards. The Aluminum Association Design Manual, and/or standard engineering practice. The values shown are nominal and may vary. The information found in this document is believed to be true and accurate. No warranties of any kind are made as to the suitability of any CMI product for particular applications or the results obtained there from. ShoreGuard, C-Loc, TimberGuard, GeoGuard, Dura Dock, Shore-All, and Gator Gates are registered trademarks of Crane Materials International. ArmorWare, Ultra Composite, GatorDocks, and CMI Waterfront Solutions are trademarks of Crane Materials International. United States and International Patent numbers 5,145,287; 5,881,508; 6,000,883; 6,033,155; 6,053,666; D420,154; 4,674,921; 4,690,588; 5,292,208; 6,575,667; 7,059,807; 7,056,066; 7,025,539; 1,245,061; Other patents pending. © 2008 Crane Materials International. All Rights Reserved.



**HEADER DETAIL**

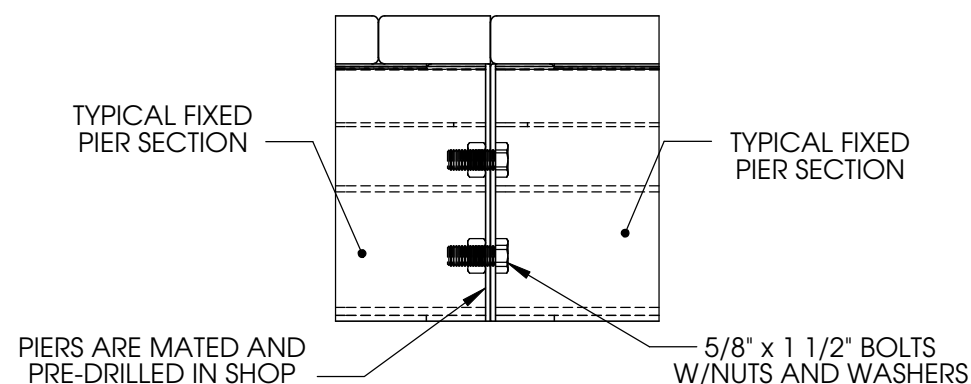
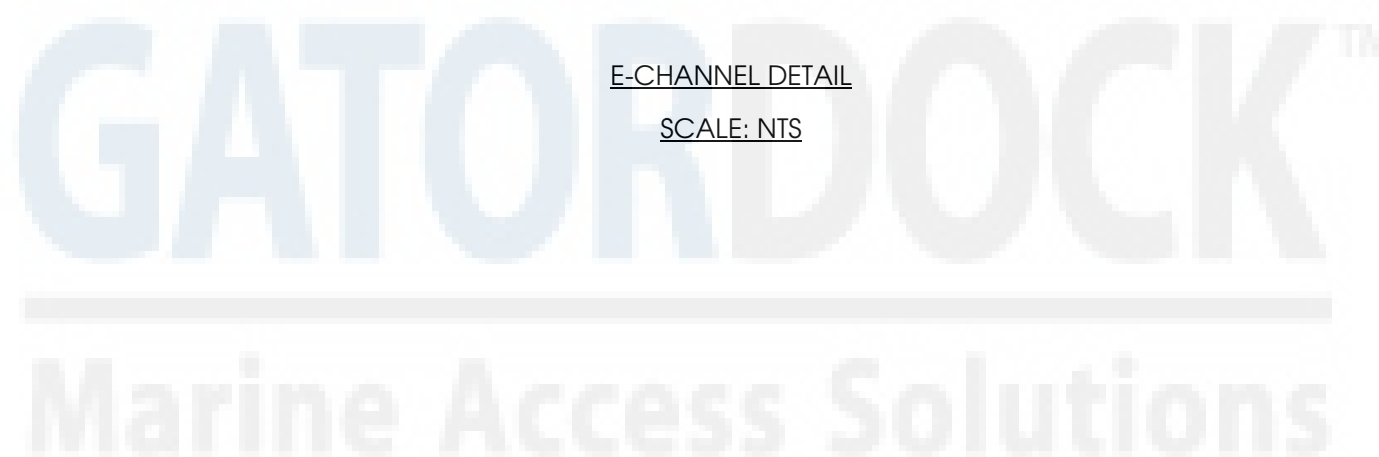
SCALE: NTS



L = LENGTH (SIZE OF E-CHANNEL CONTINGENT ON FIXED PIER DESIGN)

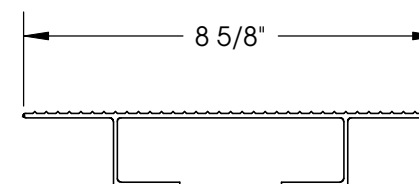
**E-CHANNEL DETAIL**

SCALE: NTS



**FIXED PIER BOLTED CONNECTION DETAIL**

SCALE: NTS



**8 5/8" ALUMINUM DECKING DETAIL**  
(12" ALUMINUM DECKING ALSO AVAILABLE)

SCALE: NTS