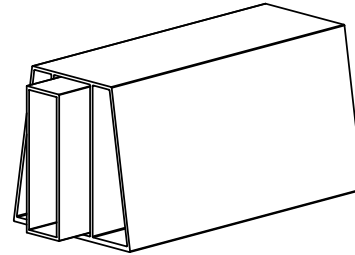
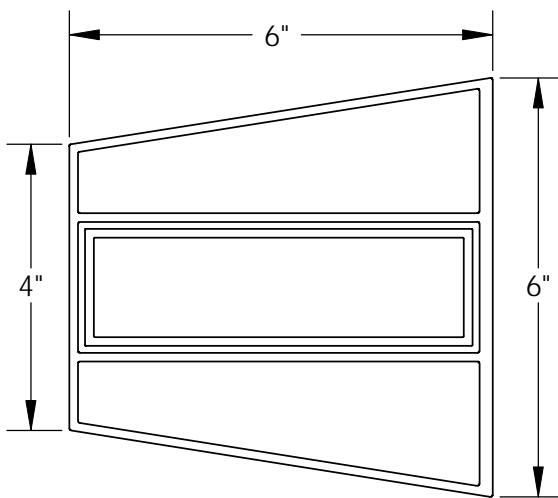


AW-6 STR Wale



Max Allowable Bending Moment	12,574 ft-lbs	17,048 N-m
Max Allowable Point Load*	15,000 lb	66,723 N
Section Modulus (Z)	8.7 in ³	143 cm ³
Moment of Inertia (I)	28 in ⁴	1,165 cm ⁴
Design Modulus of Elasticity (E)	10 x10 ⁶ psi	68,900 Mpa
Material	6063-T6 Marine Grade Aluminum	
Compatibility	AW 2.5" x 0.75" Rod Kit, AW 2.9" x 1" Rod Kit	
Recommended Accessories	90° Corner Brace, 45° & 90° AW-6 Corner Insert, Beveled PVC Washer, 4" Nylon Plate Washer	
Standard Colors/Surface Treatment	Mill Finish, Anodized Marine Bronze	
Standard Packaging	20ft AW-6 Wale, 20ft Structural Insert, SS Fasteners	

* when used with 4" x 4" washer



Span (L) (ft)	Max Allowable Uniform Load (Bending Moment/ Point Load)	Deflection Allowable Uniform Load (lbs/ft)			
		L/90	L/180	L/240	L/360
4	3,750	----	----	----	----
5	3,000	----	----	----	----
6	2,500	----	----	----	1,920
7	2,143	----	----	1,814	1,209
8	1,875	----	1,620	1,215	810
9	1,552	----	1,138	854	569
10	1,257	----	830	622	415
11	1,039	----	623	467	312
12	873	----	480	360	240
13	744	----	378	283	189
14	642	605	302	227	151
15	559	492	246	184	123

Physical properties are defined by ASTM testing standards, The Aluminum Association Design Manual, The Naval Facilities Design Manual DM 7.2, The US Army Corps of Engineers General Design Guide: PVC Sheet Pile and/or standard engineering practice. The values shown are nominal and may vary. The information found in this document is believed to be true and accurate. No warranties of any kind are made as to the suitability of any CMI product for particular applications or the results obtained there from. Crane Materials International is a Crane Building Products® company. ShoreGuard®, The ShoreGuard Seawall System™, C-Loc®, TimberGuard®, GeoGuard®, Dura Dock®, Shore-All®, GatorGates®, GatorDock Elite™, ArmorRod™, ArmorRod™, Box Profile™, UltraComposite™, Elite Wall™, Elite Panel™, Elite Fascia Panel™, Flat Panel™, XCR™, XCR Technology™, XCR Vinyl™, GatorBridg™, Gator Aluminum™, Gator Sheet Piling™, GatorDock™, I-Beam Lock™, Textured Slate™, Crane Materials International™ logo, CMI Sheet Piling Solutions™, Aqua Terra System™, Endurance™, Endurance CSPTM, Polaris™, Eclipse™, GridSpine™, 21 Poly™, PileClaw™, SheerScape™, SheerScape Retaining Wall Systems™, Sheer Panel™ and CMI Waterfront Solutions™ are trademarks, service marks or trade names of Crane Materials International, United States and International Patent numbers 4,674,921; 4,690,588; 5,292,208; 5,145,287; 6,000,883; 6,033,155; 6,053,666; D420,154; 6,575,667; 7,059,807; 7,056,066; 7,025,539; 7,393,482; 5,503,503; 5,803,672; 6,231,271; 1,245,061CA and other patents pending. © 2011 Crane Materials International. All Rights Reserved.