

8 7 6 5 4 3 2 1

D

C

B

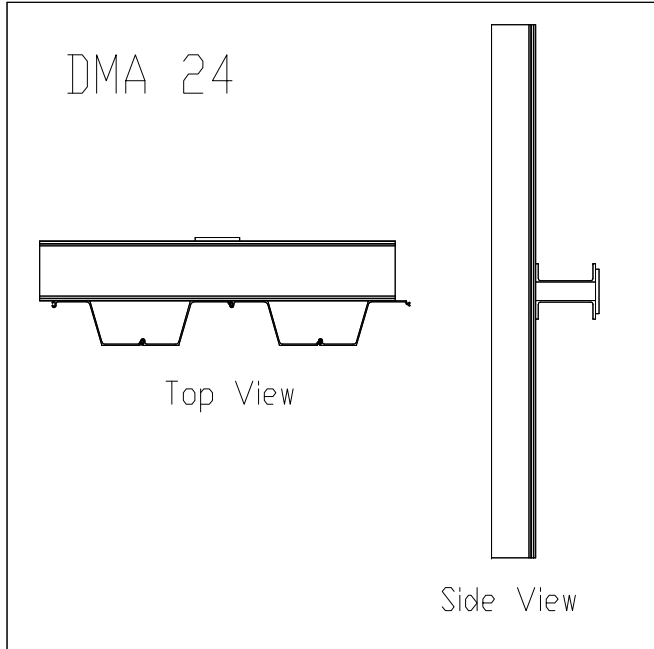
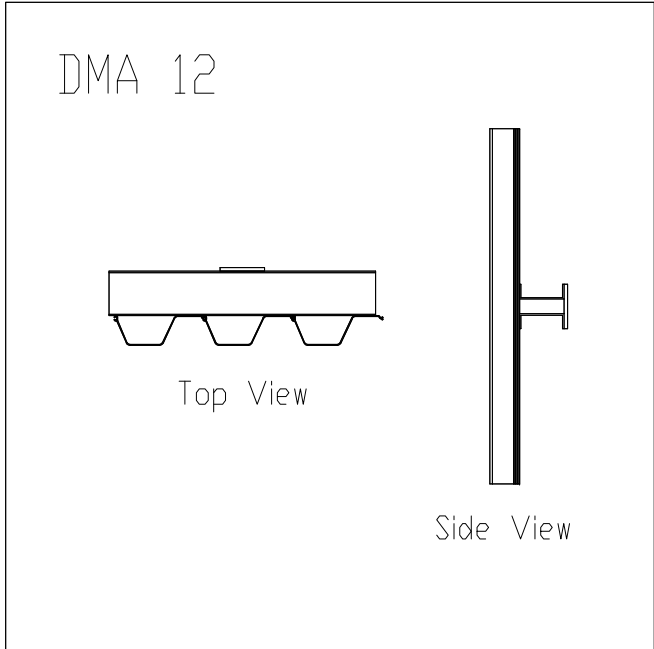
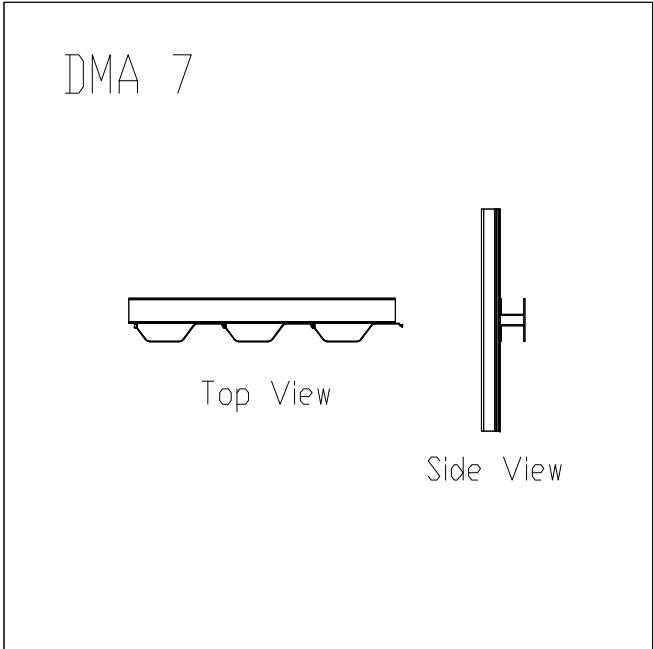
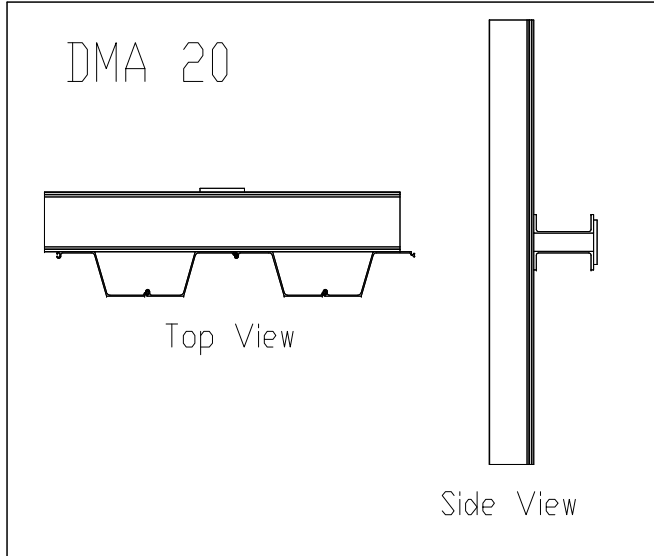
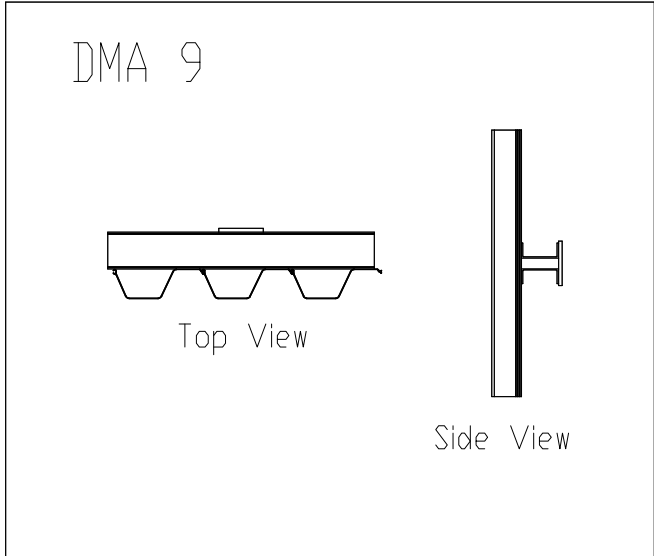
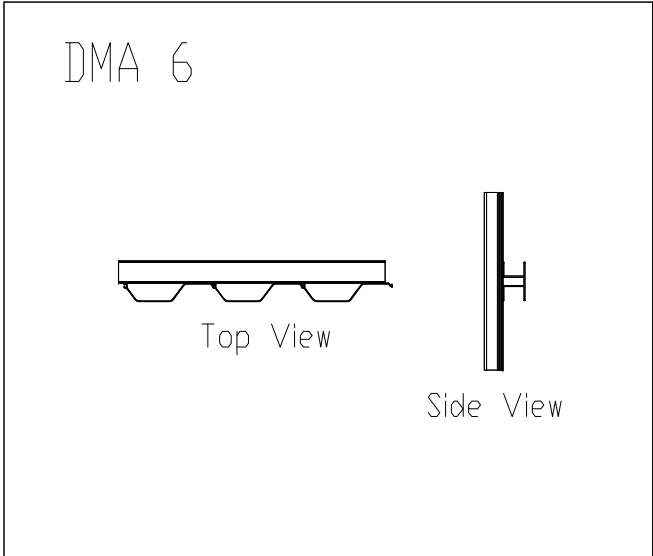
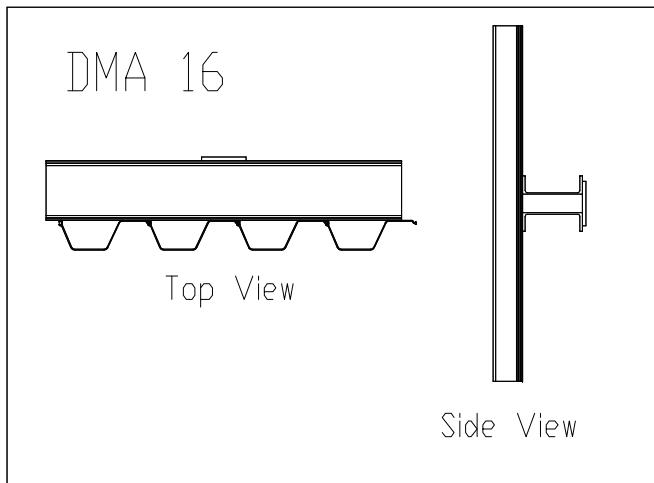
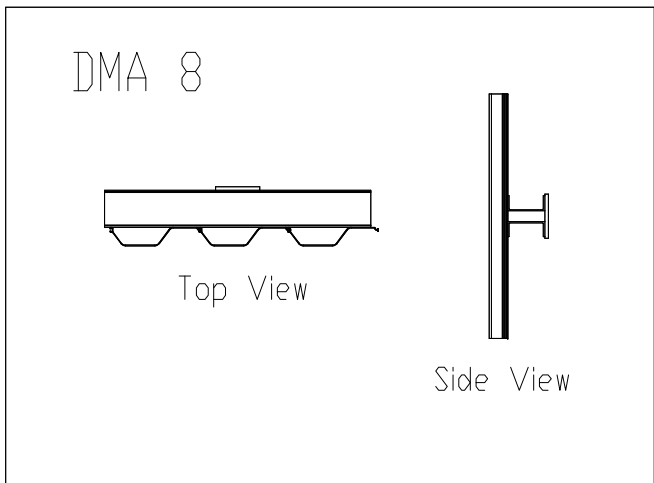
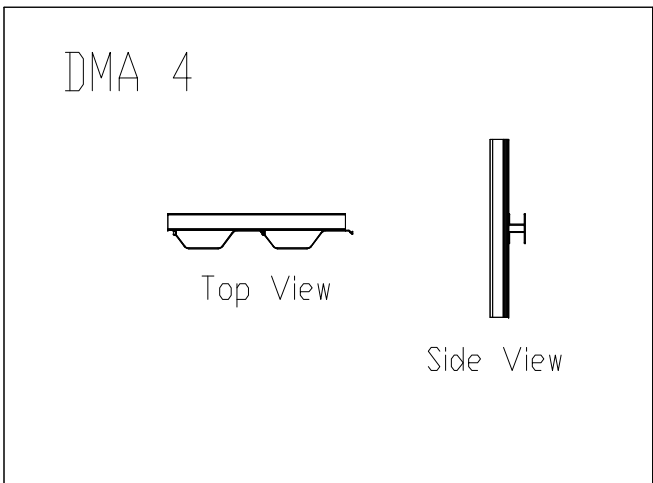
A

D

C

B

A




THE CONFIGURATIONS SHOWN ARE CONSIDERED TYPICAL AND FOR BUDGETARY PURPOSES ONLY. PLEASE RELY ON YOUR ENGINEER FOR SPECIFIC DESIGN RECOMMENDATIONS. BECAUSE OF THE COMPLEXITY OF GEOTECHNICAL LOADING CALCULATIONS AND THE SUSCEPTIBILITY TO EXTREME CHANGE OF SOIL PARAMETERS, WATER LEVELS, SURCHARGE LOADS, ETC., WE STRONGLY RECOMMEND THE USE OF DESIGN PROFESSIONALS WHO ARE FAMILIAR WITH LOCAL WALL CONSTRUCTION TO DETERMINE THE REQUIRED SHEET PILING AND COMPONENT CAPACITIES. THE MATERIAL CONTAINED WITHIN THIS DRAWING IS NOT TO BE USED FOR ANY PROJECT SPECIFIC DESIGN.

UNLESS OTHERWISE SPECIFIED ALL DIMENSIONS ARE IN INCHES

PROPRIETARY AND CONFIDENTIAL

THE INFORMATION CONTAINED IN THIS DRAWING IS THE SOLE PROPERTY OF CRANE MATERIALS INTERNATIONAL. ANY REPRODUCTION IN PART OR AS A WHOLE WITHOUT THE WRITTEN PERMISSION OF CRANE MATERIALS INTERNATIONAL IS PROHIBITED.

	NAME	DATE
DRAWN BY:	JAB	06/18/09
CHECKED BY:	CBB	06/18/09
REVISION:		REL
SHEET:		
SCALE:		1:1



CRANE MATERIALS INTERNATIONAL
 4501 CIRCLE 75 PARKWAY SUITE E-5370
 ATLANTA, GA 30339
 800/256-8857 770/933-8166

TITLE: ShoreGuard Anchors

8 7 6 5 4 3 2 1