

AW Rod Kits



AW 1.5" x 0.75" x 15' Rod Kit



AW 1.5" x 0.75" x 20' Rod Kit



AW 2.5" x 0.75" x 15' Rod Kit



AW 2.5" x 0.75" x 20' Rod Kit



AW 2.9" x 1" x 15' Rod Kit



AW 2.9" x 1" x 20' Rod Kit

The configurations shown are considered typical and for budgetary purposes only. Please rely on your engineer for specific design recommendations. Because of the complexity of geotechnical loading calculations and the susceptibility to extreme change of soil loads with minor changes in local site conditions such as soil parameters, water levels, surcharge loads, etc., we strongly recommend the use of design professionals who are familiar with local wall construction to determine the required sheet piling and component capacities. The material contained within this drawing is not to be used for any project specific design.



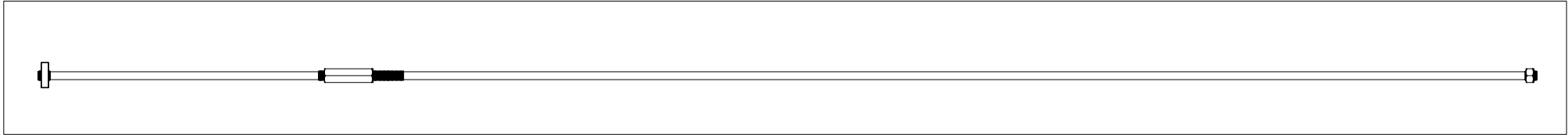
CRANE MATERIALS INTERNATIONAL

AW Rod Kit Profiles

DATE 20070116

DRAWN JAB

WB-2 Rod Kit



WB-6, WB-8 Rod Kit



The configurations shown are considered typical and for budgetary purposes only. Please rely on your engineer for specific design recommendations. Because of the complexity of geotechnical loading calculations and the susceptibility to extreme change of soil loads with minor changes in local site conditions such as soil parameters, water levels, surcharge loads, etc., we strongly recommend the use of design professionals who are familiar with local wall construction to determine the required sheet piling and component capacities. The material contained within this drawing is not to be used for any project specific design.



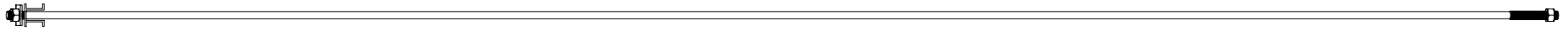
CRANE MATERIALS INTERNATIONAL

WB Rod Kits

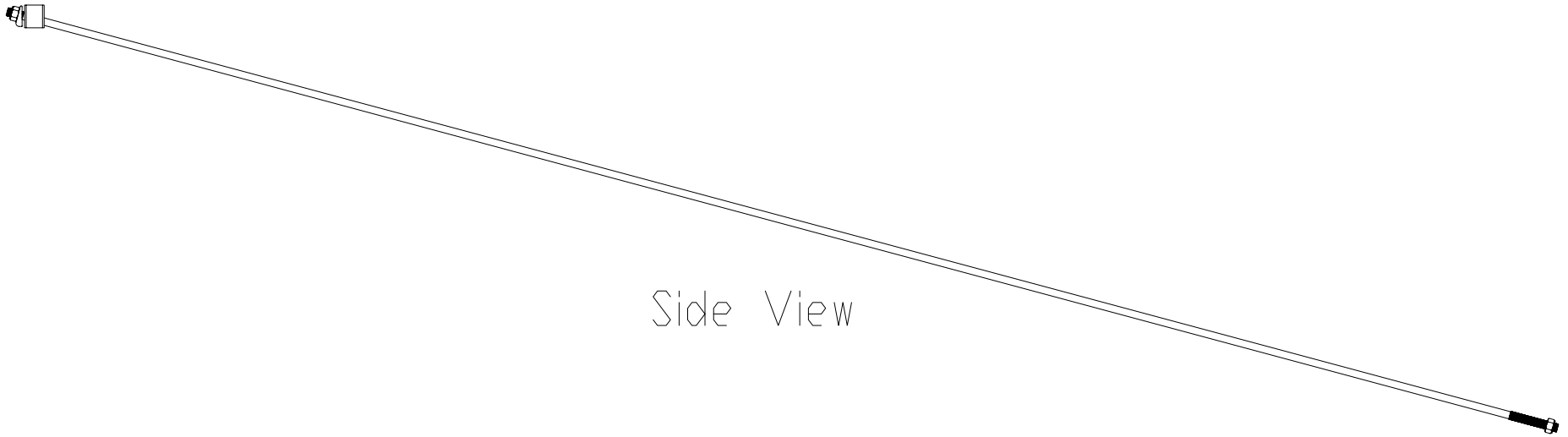
DATE 20070116

DRAWN JAB

SC-7 Rod Kit



Top View



Side View

The configurations shown are considered typical and for budgetary purposes only. Please rely on your engineer for specific design recommendations. Because of the complexity of geotechnical loading calculations and the susceptibility to extreme change of soil loads with minor changes in local site conditions such as soil parameters, water levels, surcharge loads, etc., we strongly recommend the use of design professionals who are familiar with local wall construction to determine the required sheet piling and component capacities. The material contained within this drawing is not to be used for any project specific design.



CRANE MATERIALS INTERNATIONAL

SC-7 Rod Kit Profiles

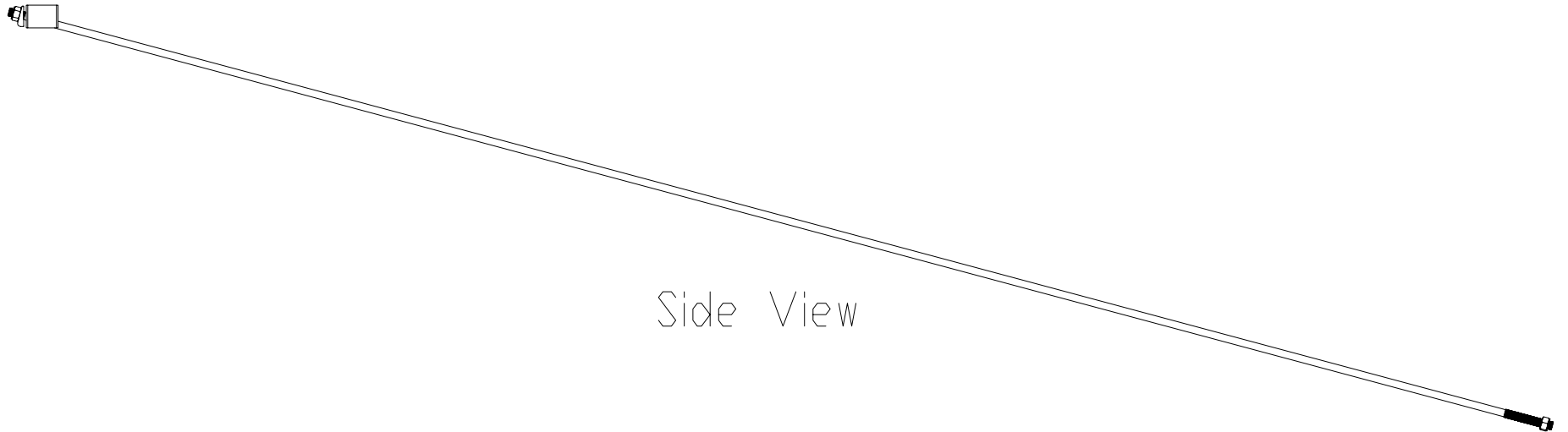
DATE 20070116

DRAWN JAB

SC-9 Rod Kit



Top View



Side View

The configurations shown are considered typical and for budgetary purposes only. Please rely on your engineer for specific design recommendations. Because of the complexity of geotechnical loading calculations and the susceptibility to extreme change of soil loads with minor changes in local site conditions such as soil parameters, water levels, surcharge loads, etc., we strongly recommend the use of design professionals who are familiar with local wall construction to determine the required sheet piling and component capacities. The material contained within this drawing is not to be used for any project specific design.



CRANE MATERIALS INTERNATIONAL

SC-9 Rod Kit Profiles

DATE 20070116

DRAWN JAB