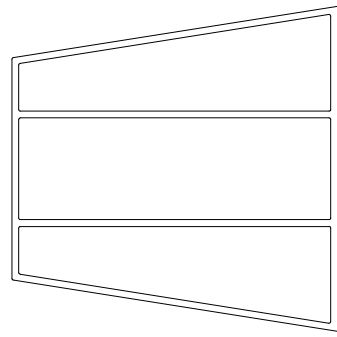
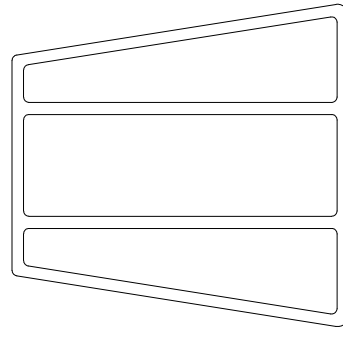


Wales

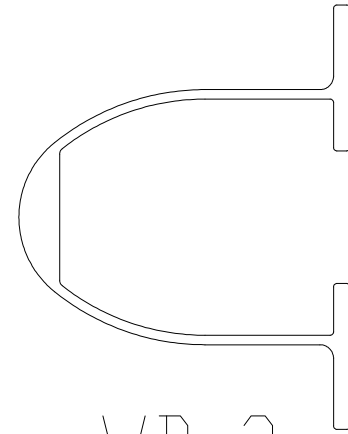
Splice Inserts



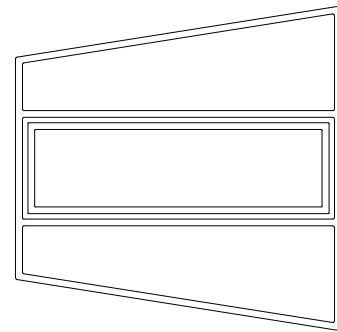
AW-6
Wale



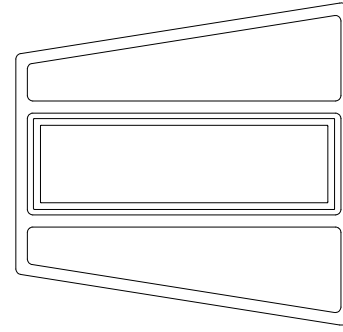
UC-6
Wale



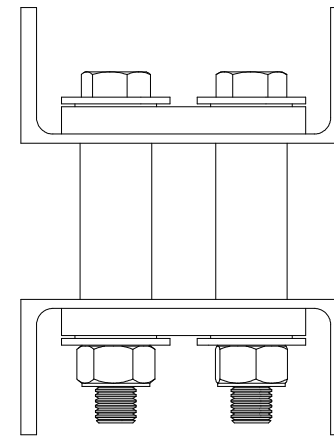
WB-2
Wale



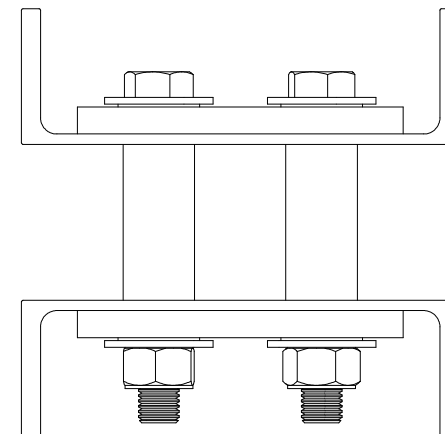
AW-6 STR
Wale



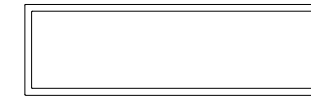
UC-6 STR
Wale



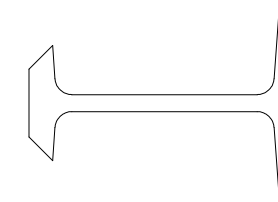
WB-6
Wale



WB-8
Wale



AW-6, UC-6
Splice Insert



WB-2
Splice Insert

THE CONFIGURATIONS SHOWN ARE CONSIDERED TYPICAL AND FOR BUDGETARY PURPOSES ONLY. PLEASE RELY ON YOUR ENGINEER FOR SPECIFIC DESIGN RECOMMENDATIONS. BECAUSE OF THE COMPLEXITY OF GEOTECHNICAL LOADING CALCULATIONS AND THE SUSCEPTIBILITY TO EXTREME CHANGE OF SOIL PARAMETERS, WATER LEVELS, SURCHARGE LOADS, ETC., WE STRONGLY RECOMMEND THE USE OF DESIGN PROFESSIONALS WHO ARE FAMILIAR WITH LOCAL WALL CONSTRUCTION TO DETERMINE THE REQUIRED SHEET PILING AND COMPONENT CAPACITIES. THE MATERIAL CONTAINED WITHIN THIS DRAWING IS NOT TO BE USED FOR ANY PROJECT SPECIFIC DESIGN.

UNLESS OTHERWISE SPECIFIED
ALL DIMENSIONS ARE IN INCHES
PROPRIETARY AND CONFIDENTIAL
THE INFORMATION CONTAINED IN THIS
DRAWING IS THE SOLE PROPERTY OF
CRANE MATERIALS INTERNATIONAL. ANY
REPRODUCTION IN PART OR AS A WHOLE
WITHOUT THE WRITTEN PERMISSION OF
CRANE MATERIALS INTERNATIONAL IS
PROHIBITED.

	NAME	DATE
DRAWN BY:	JAB	01/01/11
CHECKED BY:	CBB	01/01/11
REVISION:		REL-02
SHEET:		
SCALE:		1:1



CRANE MATERIALS
INTERNATIONAL
4501 CIRCLE 75 PARKWAY SUITE E-5370
ATLANTA, GA 30339
866/730-9210 770/933-8166

TITLE:
Wale Profiles